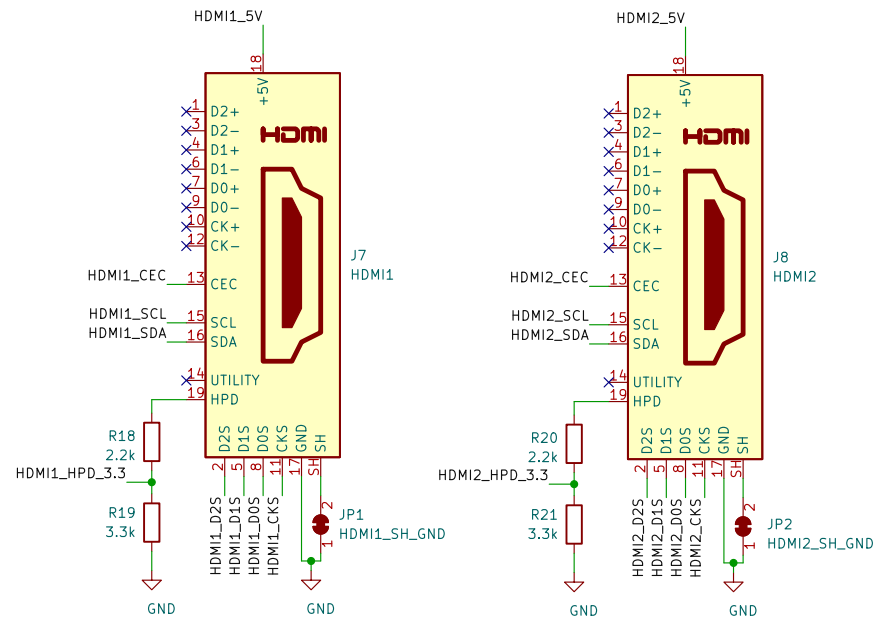
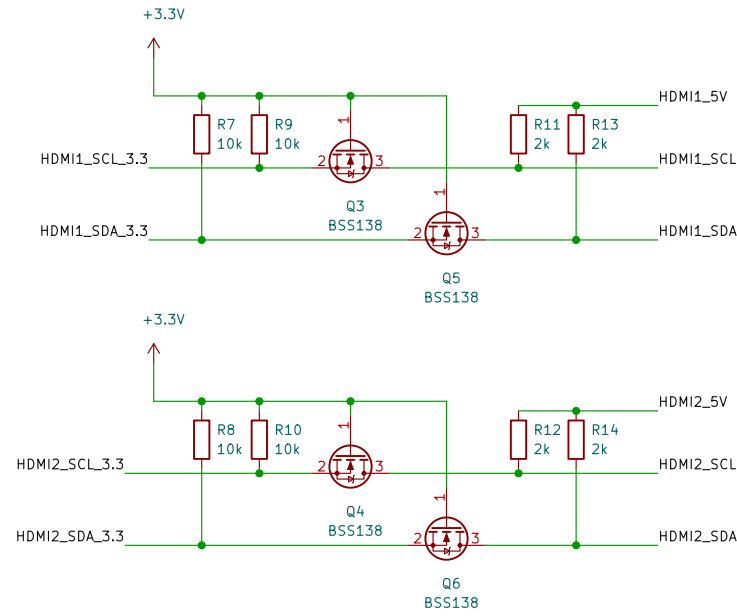


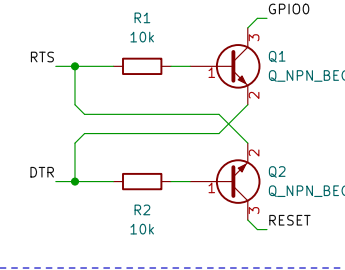
HDMI



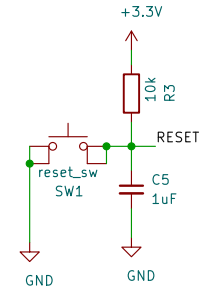
I2C Level Shifters



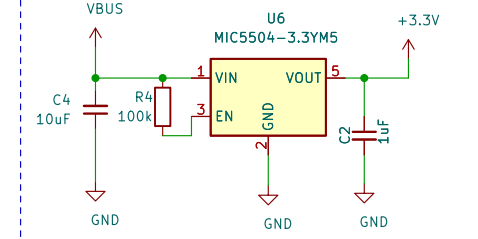
Serial Reset/Boot



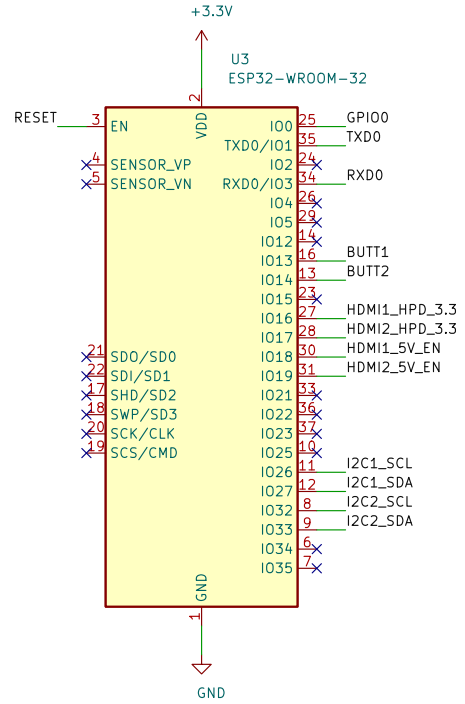
Reset



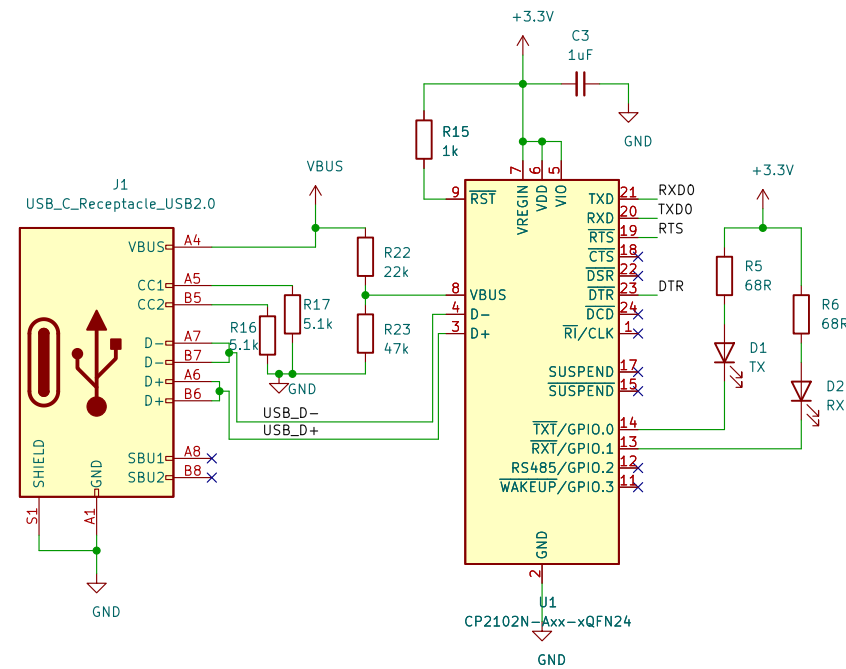
Power



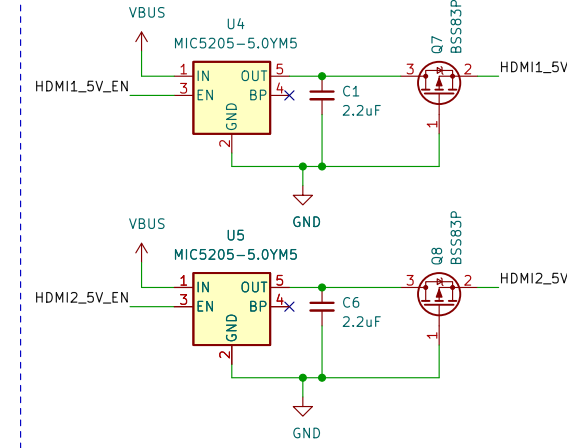
ESP32



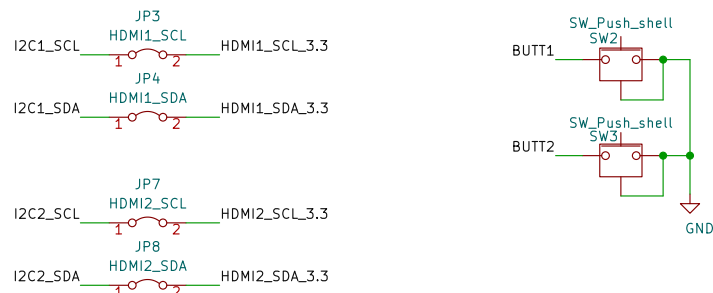
USB/Serial



HDMI 5V



Jumpers & Butts



wlcx industries

Sheet: /
File: hdmi2c.kicad_sch

Title: PRJ6 HDMI2C Monitor Controller

Size: A3 Date: 2021-06-25
KiCad E.D.A. eeschema 6.0.7-f9a2dced07-116-ubuntu22.04.1

Rev: rev0
Id: 1/1